



Tukom

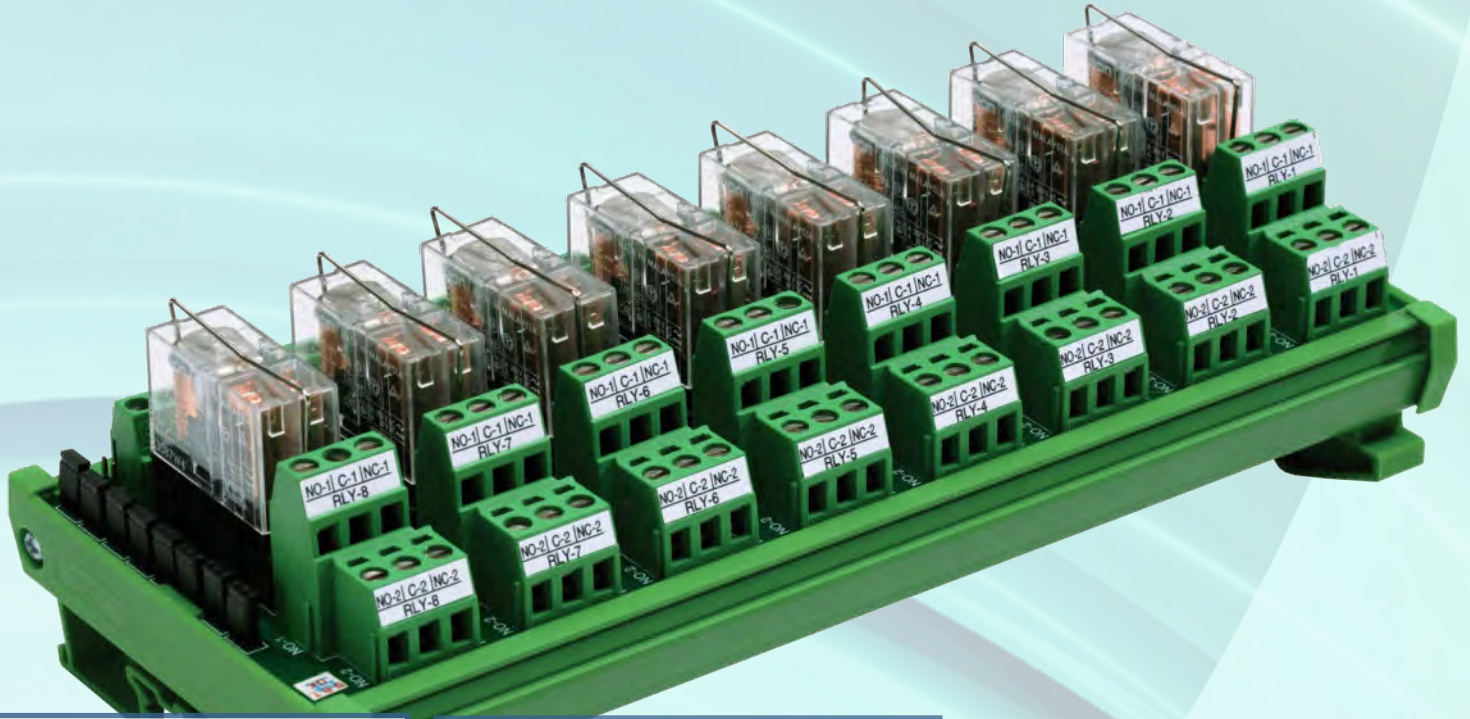
Electromechanical Components Systems



For the right components
From the right brand

We provide a Total Solution to our customer's needs

www.tukom.com.tr Call : 0212 482 83 83 Fax : 0212 482 83 87 Email : info@tukom.com.tr



CIRCUIT BREAKERS

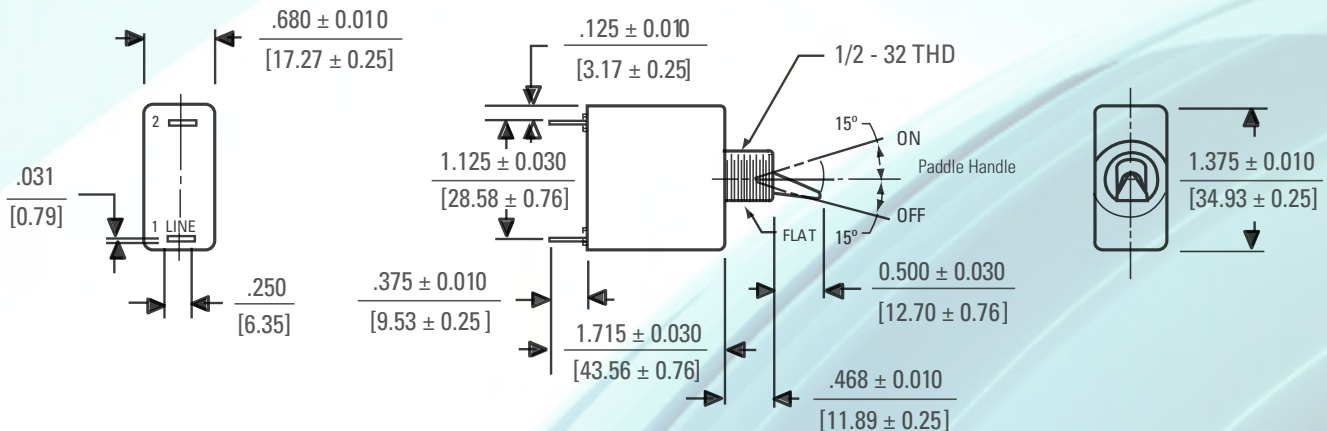
- ✓ Sensata Technologies
- Klixon
 - ✦ A/C Breakers
 - ✦ Thermal Breakers
- ✓ Safran Electrical & Power
 - ✦ Mechanical Products
- Accessories
 - ✓ Paco Plastics
 - ✦ C/B Collars
 - ✦ Tags
 - ✦ Color Caps
 - ✓ Master Lock
 - ✦ Panel Seals
 - ✦ Boot

RELAYS & CONTACTORS

- ✓ Esterline / Leach
- ✓ Safran Electrical & Power
- ✓ TE Connectivity
 - ✦ CII
 - ✦ Hartman
 - ✦ Kilovac
 - ✦ Agastat
- ✓ STPI / DRI Relays
- ✓ Guardian Electric Mfg.

ILLUMINATED SWITCHES & INDICATORS

- ✓ Safran Electronics & Defence
 - ✦ Master Specialties
- ✓ Electroswitch
- ✓ L-3 / Electroynamics
 - ✦ Status Indicators
- ✓ Marl International
- ✓ Electro - Mech
- ✓ Stacosystems
- ✓ Esterline / Korry
- Accessories
 - ✓ Oshino
 - ✓ Wamco
 - ✓ Electronic Hardware





SWITCHES

- ✓ Safran Electrical & Power
- ✓ Sensata Technologies
- ✓ Electroswitch
- ✓ Electro-Mech
- ✓ Stacosystems
- ✓ Guardian Electric Mfg.
- ✓ Honeywell
- ✓ Amphenol / Nexus

Accessories

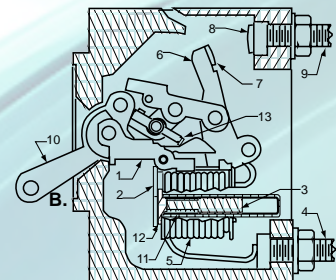
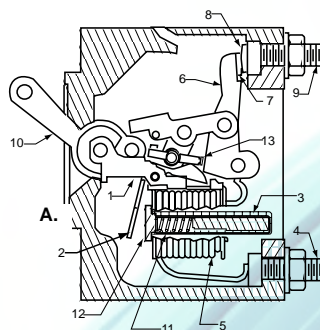
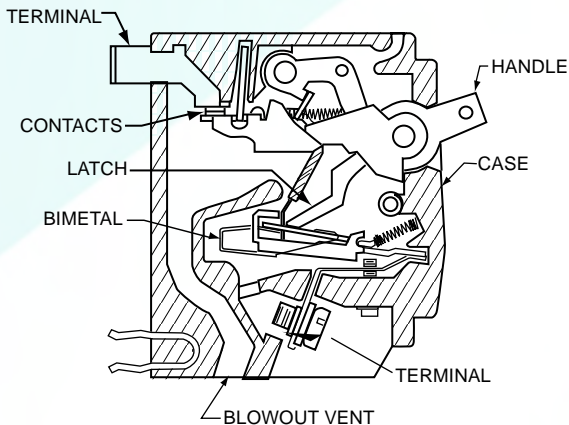
- ✓ Electronic Hardware
- ✓ APM Hexseal
 - ✦ Panel Seals
 - ✦ Boots

THERMOSTATS & MOTOR CONTROLS

- ✓ Sensata Technologies
- ✓ Klixson
 - ✦ Military Thermostats
 - ✦ Comm. Thermostats
 - ✦ Probes
 - ✦ A/C Motor Protectors

TIME METERS / COUNTERS

- ✓ L-3/Electrodynamics
 - ✦ DC Elapsed Time Indicators
 - ✦ AC Elapsed Time Indicators
 - ✦ Event Counters
 - ✦ Digital Series
 - ✦ Custom Enclosures
 - ✦ Mil Series
 - M7793
 - MS21341
 - MS27650
 - MS27651





INTERCONNECT

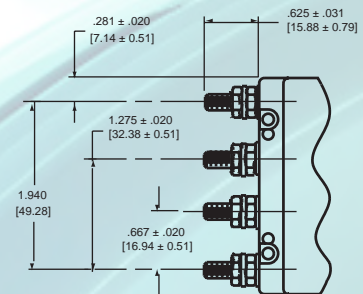
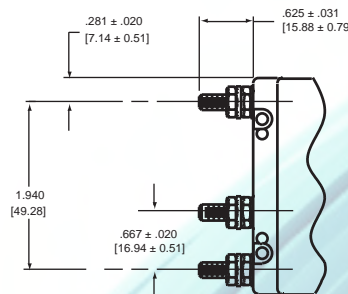
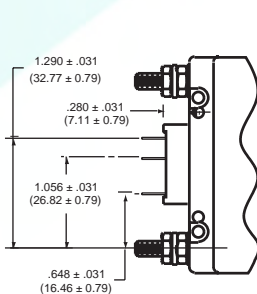
- ✓ Amphenol Pcd
- ✓ Esterline / Leach
- ✓ Armel Electronics
- ✓ American Micro Conn.
- ✓ Conesys
 - ✦ Aero-Electric Conn.
- ✓ Rebling
- ✓ Corsair Electrical
- ✓ Arvan
- ✓ Seastrom Mfg.
- ✓ DME

FAN / BLOWERS HEATERS

- ✓ Pelonis Technologies
 - ✦ AC Fans
 - ✦ DC Fans
 - ✦ Micro Fans / Blowers
 - ✦ Heating Elements
- ✓ Sensata Technologies
 - ✦ Air Flow Sensors

MISCELLANEOUS

- ✓ Amphenol Pcd
- ✓ System Attachments
- ✓ APM Hexseal Boots & Seals
- ✓ Gateway Cable
- ✓ Oshino Lamps
- ✓ Paco Plastics Tags & Lockouts
- ✓ R & B Electronics
- ✓ Jumpers
- ✓ Wamco Lamps





Custom Designed Products to meet customer design requirements are available from all our principals
Tukom is a full service representative company serving the industry for over 25 years team expertise.

Tukom has been providing quality service in the industry since 2015 supporting our customers and principals with friendly professional service

Technical Distribution with custom solutions

We provide engineering support to our customers to help them in their design process. Tukom have value added capabilities including Cable Harness , Assembly , Kitting , Design and Manufacture of hardware components needed by customers at competitive prices , local deliveries and fast turnaround. From concept to design and manufacture support.

We provide a Total Solution to our customer's needs



Tukom

OUR LOCATION

Maltepe Mah. Eski Cirpici Yolu Sok. No:8 Parima Ofis 69
Zeytinburnu / Istanbul / TURKIYE

Tel : 0212 482 83 83 Fax : 0212 482 83 87